

Sparta

Tilt & Turn Handle

CYCLE TESTED
25,000
CYCLES

MECHANICAL
GUARANTEE
10
YEARS

Carl F
Groupco

glonbco



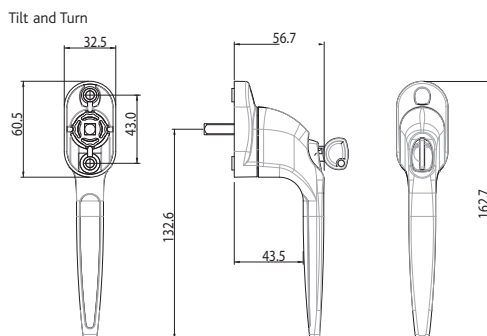
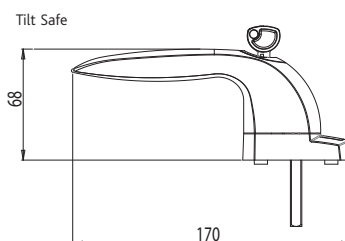
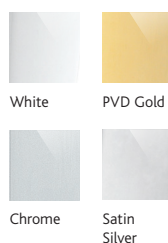
- Push button to open
- Key lockable
- Tilt safe handle allows movement to the tilt position even when locked

The Sparta Tilt and Turn handle offers an attractive design incorporating a soft grip insert and tight radius under the lever to enhance the comfort for the user while providing increased hand clearance from the frame.

The Tilt Safe handle allows movement to the tilt position even when locked and provides ventilation without compromising safety.

Thoroughly tested, the Sparta Tilt and Turn handle offers Grade 4 (240 hours) for plated finishes and Grade 5 (480 hours) corrosion resistance for painted finishes.

The handle is also endurance tested to ES-04 and abusive load tested to BS 6462.



Technical Information:

- Spindle: 7mm square
- Spindle length: 30mm, 40mm and 50mm
- Fixing centres: 43mm
- Fixing lugs: 10mm

Colour	Button Colour	30mm		40mm		50mm	
		Tilt Safe	Tilt & Turn	Tilt Safe	Tilt & Turn	Tilt Safe	Tilt & Turn
White	White	0276-2000-WH-30	0275-2050-WH-30	0276-2000-WH-40	0275-2050-WH-40	0276-2000-WH-50	0275-2050-WH-50
Chrome	Black	0276-2000-CH-30	0275-2060-CH-30	0276-2000-CH-40	0275-2060-CH-40	0276-2000-CH-50	0275-2060-CH-50
PVD Gold	Black	0276-2000-GO-30	0275-2060-GO-30	0276-2000-GO-40	0275-2060-GO-40	0276-2000-GO-50	0275-2060-GO-50
Satin Silver	Black	0276-2000-SS-30	0275-2060-SS-30	0276-2000-SS-40	0275-2060-SS-40	0276-2000-SS-50	0275-2060-SS-50

Certain spindle sizes available to Order only. Please contact our Sales Office.