

Sparta

Door Handles



- Standard and Long backplates
- 92mm and 62/92mm PZ centres
- Suitable for door thicknesses 44mm – 70mm
- Supplied with spindle and screws finished to match backplate
- Reversible handing
- French door option available (page 82)

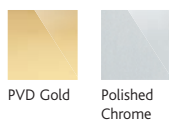
The Sparta handle is designed to form a co-ordinated suite with the Sparta Espag and Tilt and Turn handles while the finishes match the Unicorn letterplate, Midi and Patriot Door hinges.

Application:

The lever/lever handle set is for use with lift lever operated multipoint locking mechanisms with a 92mm PZ centre with a choice of short or long backplate to suit the door lock fixing centres.

The lever/moving pad handle set is for use with "split spindle" multipoint locking mechanisms, such as the FUHR 859 series and the XL range. The lever/moving pad handles area available to suit 92mm PZ centres with short or long backplates, and an offset variant for 62/92mm PZ centre locks (special spindle sets supplied by the lock manufacturer are required for lever/moving pad handles).

Colours:



Technical Information:

- Cast zinc levers and backplate
- Spindle: 8mm² x 125mm
- Screws: 2 x M5 x 75mm, 2 x M5 x 85mm
- 2 x spring cassette supplied

Corrosion resistance to requirements of BS EN 1670 Grade 4
 Endurance test to ES2-04
 Abusive load test to BS 6462

Colour	Standard Backplate 92mm PZ	Long Backplate 92mm PZ	Box Qty
Sparta Lever/Lever			
White	0755-2001-WH	0750-2001-WH	10
Black	0755-2001-BK	0750-2001-BK	10
Silver	0755-2001-SS	0750-2001-SS	10
PVD Gold	0755-2001-GO	0750-2001-GO	10
Polished Chrome	0755-2001-CH	0750-2001-CH	10

Colour	Standard Backplate 92mm PZ	Long Backplate 92mm PZ	Long Backplate 62/92mm PZ	Box Qty
Sparta Lever/Moving Pad				
White	0755-2002-WH	0750-2003-WH	0750-2002-WH	10
Black	0755-2002-BK	0750-2003-BK	0750-2002-BK	10
Silver	0755-2002-SS	0750-2003-SS	0750-2002-SS	10
PVD Gold	0755-2002-GO	0750-2003-GO	0750-2002-GO	10
Polished Chrome	0755-2002-CH	0750-2003-CH	0750-2002-CH	10

* Lever Moving Pad with Long backplate 92mm PZ are available for special order

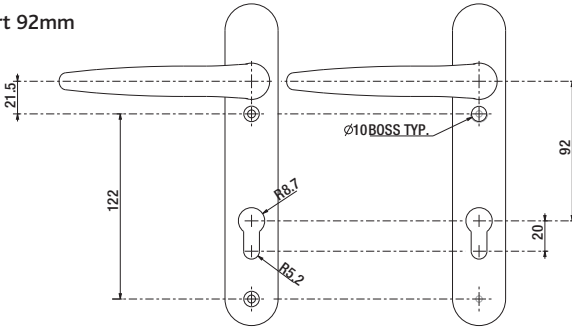
Sparta Lever/Lever

CYCLE TESTED
50,000
CYCLES

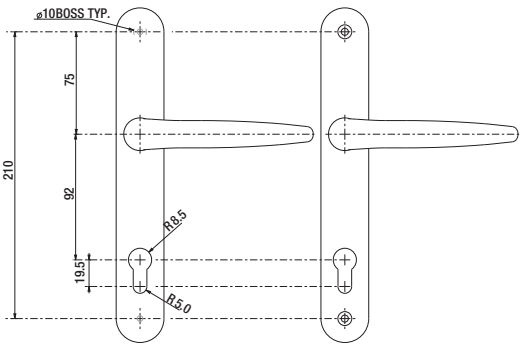
SURFACE
GUARANTEE
10
YEARS

Carl F
Groupco
Glonco
Caj E

Short 92mm

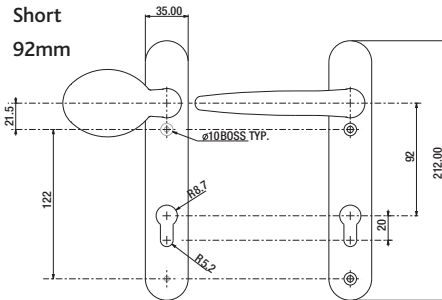


Long 92mm

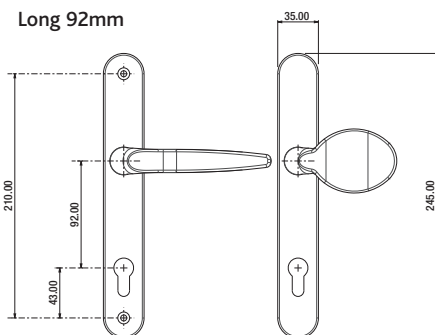


Sparta Lever/Moving Pad

Short 92mm



Long 92mm



Long 62/92mm

