

# Sparta 2 Cranked Espagnolette Handle



- Push button to open
- Key lockable
- Non-locking egress version available

The cranked Sparta 2 handle is designed to give increased knuckle clearance compared to using the inline handle.

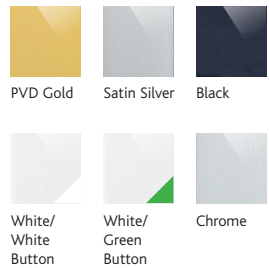
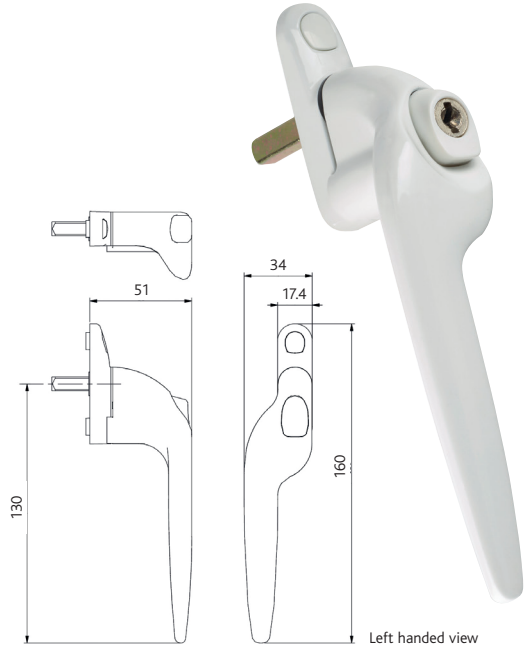
Due to the physical design of the crank, these handles are handed which needs to be specified on order. The Sparta 2 range is fully co-ordinated with other Trojan hardware products in order to improve overall appearance.

**Technical Information:**

- Spindle: 7mm square
- Spindle lengths: 15mm, 20mm, 25mm, 30mm, 40mm and 50mm
- Fixing centres: 43mm
- Fixing lugs: 10mm
- Sash clearance: 51mm

**Testing:**

- Corrosion resistance to BS EN 1670: Grade 5 for painted finishes and Grade 4 for plated finishes
- Abusive load tested to BS 6462



Colour	Button Colour	Spindle Length					
		15mm	20mm	25mm	30mm	40mm	50mm
<b>Sparta Locking Cranked Window Handle</b>							
White	White	291-011-*H-WH-15	291-011-*H-WH-20	291-011-*H-WH-25	291-011-*H-WH-30	291-011-*H-WH-40	291-011-*H-WH-50
Black	Black	291-011-*H-BK-15	291-011-*H-BK-20	291-011-*H-BK-25	291-011-*H-BK-30	291-011-*H-BK-40	291-011-*H-BK-50
Chrome	Black	291-011-*H-CH-15	291-011-*H-CH-20	291-011-*H-CH-25	291-011-*H-CH-30	291-011-*H-CH-40	291-011-*H-CH-50
PVD Gold	Black	291-011-*H-GO-15	291-011-*H-GO-20	291-011-*H-GO-25	291-011-*H-GO-30	291-011-*H-GO-40	291-011-*H-GO-50
Satin Silver	Black	291-011-*H-SS-15	291-011-*H-SS-20	291-011-*H-SS-25	291-011-*H-SS-30	291-011-*H-SS-40	291-011-*H-SS-50

\*Insert R for right hand or L for left hand.  
 NB: Green button variant is available to order. Certain spindle sizes are only available to order. Please contact our sales office.