

Athena

Euro Hinge



- Supplied pre-assembled and ready to fit
- Fits all eurogroove systems
- Independent adjustment in closed position speeds up installation
- Dog bolt available

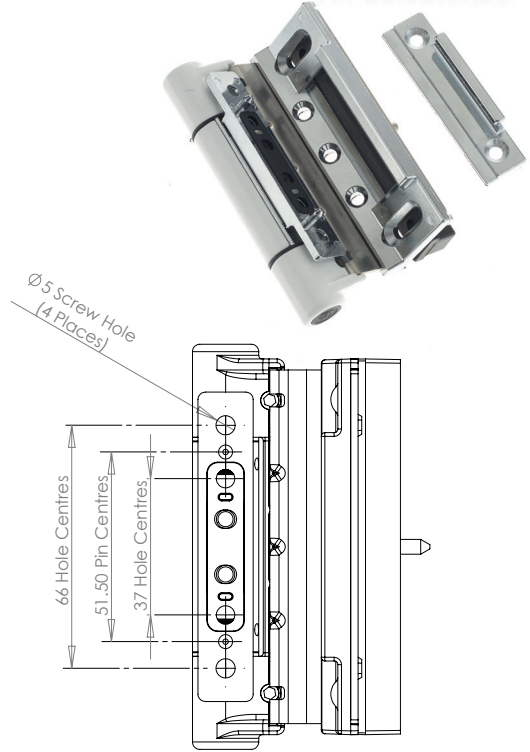
Strength is at the core of the Athena hinge design, amongst other strength features the hinge has a double knuckle for increased load bearing. As a result, three Athena hinges have a combined carrying weight of 100kg, making it perfect for heavy duty applications.

Due to its intelligent design, the Athena hinge is fast to fit during fabrication as it is supplied pre-assembled and ready to fit straight from the box. It will also fit into any fabrication set up as one product fits all eurogroove systems with 11 - 23mm axis.

Visual alignment and accurate, independent adjustment in the closed position is simple and makes installation much faster. The design also allows the door to be lifted on and off when the hinge is fitted.

Another key feature of the Athena hinge is the slim aesthetically pleasing design with an unobtrusive appearance. A clean finish is achieved because there are no unsightly gaps visible when adjustment is complete.

Tested for corrosion to BS EN 1670 to Grade 4 for plated finishes and Grade 5 for painted finishes.

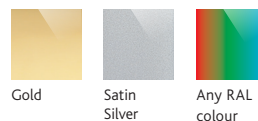


Adjustment and Weight Capacity:

- Height: +/- 4.0mm
- Compression: +/-2.0mm
- Lateral: +/- 4.0mm
- 3 hinges: 100kg

Finish	Part Code	Box Qty
Athena Euro Hinge		
White	0713-2000-WH	24
Black	0713-2000-BK	24
Brown	0713-2000-BR	24
Oak	0713-2000-OAK	24
Chrome	0713-2000-CH	24
Gold	0713-2000-GO	24
Satin Silver	0713-2000-SS	24
Security Hook	0713-018	24

Athena Euro Hinge



*Please contact the sales office for other RAL colour requirements.