

# Antipanic Gearing

## EN 1125 Modular Touch Bar

- Suitable for panic exits in public buildings
- Standard devices suit doors up to 2585mm high by 860mm wide
- Maximum width with special cross arms: 1170mm and 1300mm
- Maximum height with special vertical rods: 3150mm
- Suitable for timber, PVCu, aluminium or timber doors
- Motorised variant available

The surface mounted touch bar panic exit range comprises of modular components – the full width touch bar mechanism (complete with dogging as standard) can be used with either vertical or side entry pullmans to give variants of one, two or three point latches or two/three point bolts.

For use on French doors, the slave lock should be top and bottom locking (use PHT55) with the centre pullman closed off using the plastic clip supplied as part of the kit. The master door (use PHT57) should have horizontal locking which will enable both door sashes to open should the slave door be the first door activated.

The modular touch bar with full width touch arm has been tested and certified to EN 1125. This type of device is suitable for all public buildings such as hotels, schools, shops, hospitals, nightclubs etc. where people are unfamiliar with their surroundings.

A motorised variant of the touch bar is available to order. Although the motorised touch bar looks similar to the standard touch bar, the operation is slightly different. Various electronic options can be connected to the device, for example an audible signal when the bar is depressed. When activated, the motor retracts the latches allowing the door to be pushed open. After a few seconds (variable from 3-30 seconds) the motor then drives the latches back into position to secure the door.

### Optional Extras:

#### Dogging Facility / Hold back feature:

The modular range is available with or without a dogging facility. Current legislation specifies that for fire/smoke door assemblies the emergency device shall not include any form of dogging mechanism. Therefore incorporating dogging can be used on escape doors only.

#### Micro-switch:

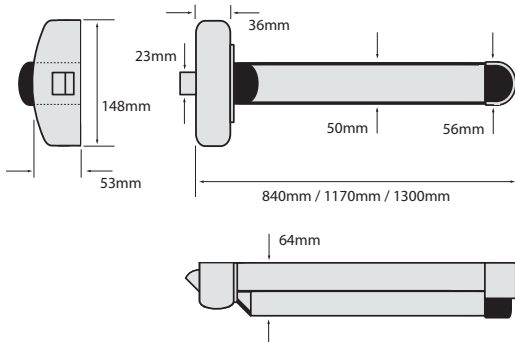
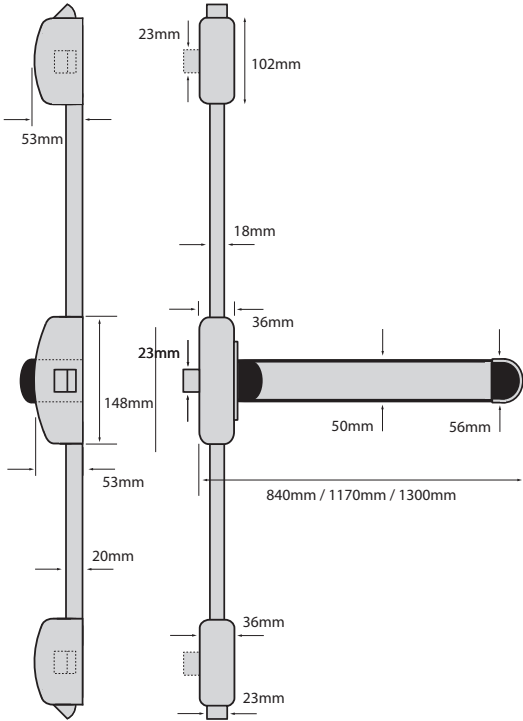
The modular range also offers the option of a micro-switch housed in the device. This allows monitoring of the door and access control to be added.

#### Outside Access:

See page 73 for full details.

Description	Locking Points	Part Code	Box Qty
<b>Modular Touch Bar</b>			
Reversible Single Point Touch Bar Leaf Panic Latch	Centre	PHT50	1
Reversible 3 Point Touch Bar Panic Latch	Top, Bottom and Centre	PHT55	1
Reversible 3 Point Touch Bar Panic Latch	Horizontal	PHT57	1

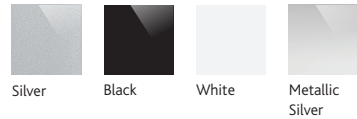
NB: All touch bar kits are available to order, please specify colour on ordering. Motorised variant part codes are available upon request.



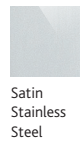
**Colours:**

Reversible touch bar mechanism, pullmans and vertical rod covers available in:

Powder coated finish:



Plated finish:



Touch bar:

