

MACO C-TS

Door Lock



- Reversible latch and deadbolt
- Lever or split spindle operation
- Serrations allow for shootbolt extensions
- Profile related keeps

The C-TS door lock is a highly secure locking system that can be used as a lever/lever or split spindle operated door lock. The deadbolt is operated by the lever handle which reduces the force required to lock the door.

Deadlocking hooks on the C-TS are manufactured from forged steel which provides security while the roller cams aid compression and weather performance. The C-TS features 2 hooks, 2 rollers, reversible latch and deadbolt, serrations on the top and bottom of the faceplate allow for shootbolt extensions.

Keep plates are available as one piece or single keeps. The hook and roller cam keeps are combined to ease fitting and reduce loose parts. Keeps are profile related to ensure the best fit for your profile while offering high levels of adjustment.

All MACO products are supplied with the Tricoat Plus coating as standard providing 1,000 salt spray testing to BS EN 1670.

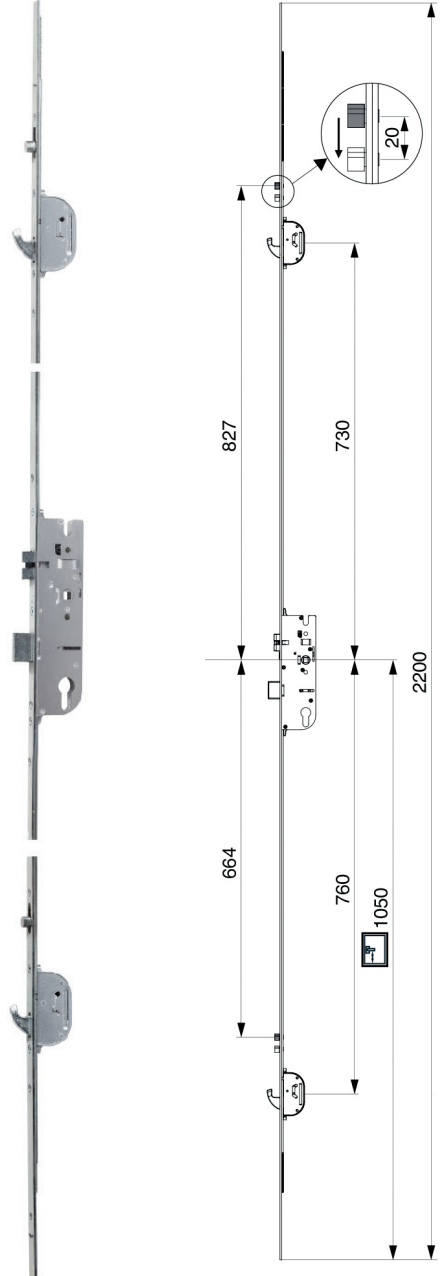
Technical Information:

- Faceplate: 16 or 20mm x 3mm
- Backset: 35 or 45mm
- PZ centre: 92mm
- Spindle size: 8mm

- Clearance required behind backset: 18mm

Throw:

- Hook: 20mm
- Roller cam travel: 20mm



Description	Part Code	Box Qty
C-TS – 35mm		
2 Hook, 2 Roller	242371	5
2 Hook, 4 Roller	242391	5
C-TS – 45mm		
2 Hook	242363	5

NB: For shootbolt details, please contact the sales office.