

# Ingenious Door Locks

## French Master & Slave Locks



- Serrations to allow for shootbolt extensions
- Up to 4mm of compression on rollers
- Option of 2 or 4 rollers for added compression
- Dual spindle gearbox

Designed with the same benefits and locking points as the single residential door locks, the French master door lock continues to offer security and reliability. The complete range of multipoint door locks are supported by a comprehensive Fit and Forget 10-year guarantee.

Both the Professional and Duplex designs are available as master door locks with the locking points positioned closer together to suit shorter French doors and maintain security.

The Professional Master lock features 3 hooks, 2/4 rollers, reversible latch and top/bottom serrations to allow for shootbolt extensions to increase security.

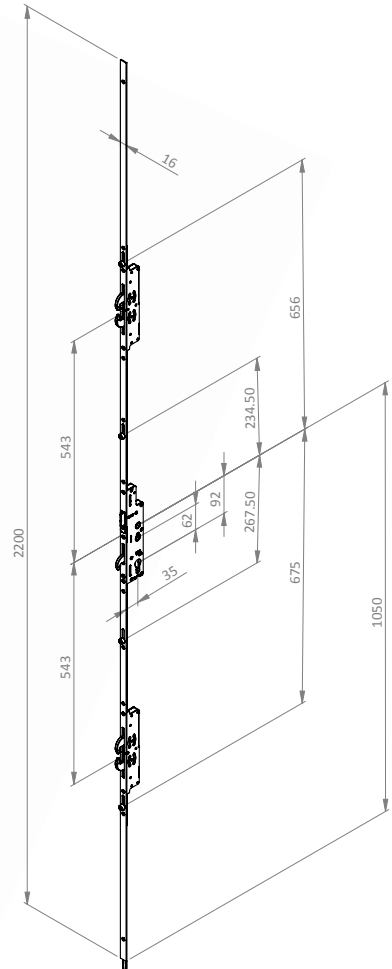
The Duplex Master lock features an impressive 5 hooks, 2/4 rollers, reversible latch and top/bottom serrations to allow for shootbolt extensions to further increase security.

The Ingenious Slave door lock is for use on the slave leaf of the door set and can be used with either the Professional or Duplex master locks.

1003



1013



Description	Part Code	Box Qty
<b>Professional Master Door Lock</b>		
3 Hook, 2 Roller & Latch	1003	5
3 Hook, 4 Roller & Latch	1012	5
<b>Duplex Master Door Lock</b>		
5 Hook, 2 Roller & Latch	1005	5
5 Hook, 4 Roller & Latch	1013	5
<b>Slave Door Lock</b>		
Top & Bottom Shootbolts	1006	5
<b>Shootbolt Extensions for Slave Door Lock</b>		
Top & Bottom Set	1200	25

### Technical Information:

- Faceplate: 16mm
- Backset: 35mm
- PZ centre: 92mm
- Spindle size: 8mm