

FUHR Emergency Exit & Panic Door Gearing

Single / Master Door



- 35mm and 45mm backset
- 92mm PZ centre
- 9mm spindle
- Reversible latch for 870
- 871 is handed
- For use on PVCu, Aluminium, Composite and Timber doors
- Single and double door options available

The FUHR 870 and 871 Type 8 emergency exit door locks feature 2 steel round bolts, latch and deadbolt. The door set is capable of achieving the requirements of EN 1125 and EN 179.

In order to comply with these standards, the lock must be used with a tested hardware set, such as the CES free movement cylinder and FUHR panic bar.

From the inside, both the 870 and 871 can be opened at any time to provide an emergency or panic exit.

Emergency and Panic Door British / European Standards:

EN 179: Applies to non-public buildings where potential users have been fully trained on how to use the door. This is Emergency Exit.

EN 1125: Applies to public buildings or other premises where occupants may not be familiar with exit routes and hardware devices. This is Panic Exit.

Operation Options:

870: Key operated lock with fixed knob handle to allow outside access.

871: External lever operated door lock to allow outside access. This is ideal for emergency exit doors which are in regular use during the day but need to be secured at night.

881: Electronically operated door lock access by use of key or access control, such as key fob, finger scanner. Egress is always possible from inside the property. Hook locking available with this operation.

870 Single / Master Leaf Door

Lock Option	870 Type 8 EN 1125 Panic / EN 179 Emergency Exit – 35mm	MP352D89S0
Handle Option	Outside Fixed Pad Handle Key Access Only for 870 Silver	MD870KE1

871 Single / Master Leaf Door

Lock Options	871 Type 8 EN 1125 Panic / EN 179 Emergency Exit – 35mm Left	MP352D89A0
	871 Type 8 EN 1125 Panic / EN 179 Emergency Exit – 35mm Right	MP352D8CS0
Handle Option	Outside Lever Access Handle Only for 871 Silver	MD870DAE1

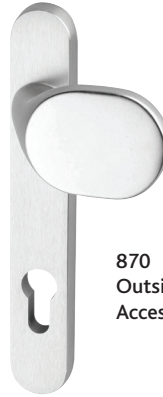
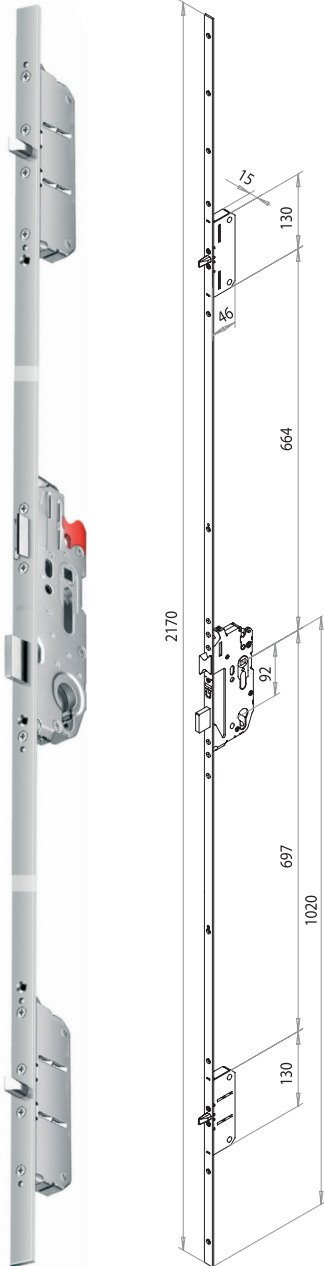
870 / 871 Kit Parts

Spindle Set	870 / 871 9mm Spindle	PV9100V
Internal Panic Bar Options	Emergency Exit Panic Bar – Black / Green	MD870055G
	Emergency Exit Panic Bar – Black / White	MD870055W

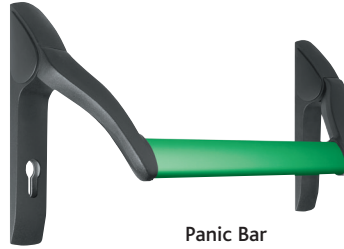
NB: for details on the 881 electromechanical variant, please contact our dedicated division SmartSecure.



870 / 871 Type 8



870 Outside Access



Panic Bar



871 Handle



CES Free Movement Cylinders

Page 86

FUHR Emergency Exit & Panic Door Gearing

870 Double Doors



For double doors, the 870 3 piece slave lock is to be used alongside the 870 or 871 Type 8 for the master door. For details on the master lock, please see page 70-71.

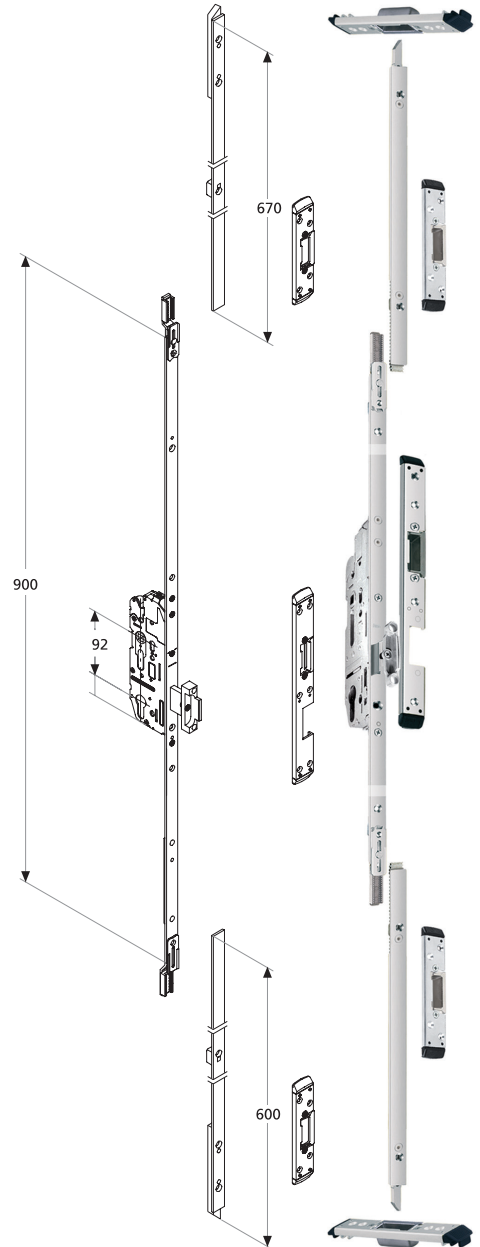
The lock runs behind the false mullion on the door, shootbolt extensions fit to a centre section to provide the security on the slave leaf. A CES free movement cylinder should always be used on FUHR panic gearing to meet EN standards for panic or emergency escape doors and achieve CE mark.

To achieve EN 1125 for double doors the 870 EN 1125 slave lock should be used alongside the standard master leaf set up:

- Special handed, sprung loaded shootbolts
- Special non PZ panic bar fitted to slave leaf
- Plus a special quick release centre catch plate

The components required are set out in the part number table.

870 Slave Door Lock EN1125



FUHR 870 Slave Door Locks Non EN 1125

Lock Options	870 Slave Door Lock Standard Version	MP352389S0
	570mm Shootbolt Extension (2 Required)	MAU60570V9X
Spindle Set	870 / 871 9mm Spindle	PV9100V
Internal Panic Bar Options	Emergency Exit Panic Bar – Black / Green	MD870055G
	Emergency Exit Panic Bar – Black / White	MD870055W
In Addition to Master Door Keeps	Zinc Single Shootbolt Keep (2 required)	RD55185ZX
	or Steel Single Shootbolt Keep (2 required)	RD55185X
	Single Shootbolt Underplate (1 x LH 1 x RH)	Profile Specific

FUHR 870 Slave Door Locks EN 1125

Lock Options	870 Slave Door Lock EN 1125 Version	MP3529N9SZ
	Top Shootbolt Extension Left	MAO606709LX
	Top Shootbolt Extension Right	MAO606709RX
	Bottom Shootbolt Extension Left	MAU606009LX
	Bottom Shootbolt Extension Right	MAU606009RX
Spindle Set	870 / 871 9mm Spindle	PV9100V
Internal Panic Bar Options	Emergency Exit Panic Bar no PZ (no cylinder required) – Green	MD870055G2
In Addition to Master Door Keeps	Zinc Single Shootbolt Keep (2 required)	RD55185ZX
	Steel Single Shootbolt Keep (2 required)	RD55185X
	Single Shootbolt Underplate (1 x LH 1 x RH)	Profile Specific
	Special Centre Plate for EN 1125 LH RH	RFPL58551LX / RX