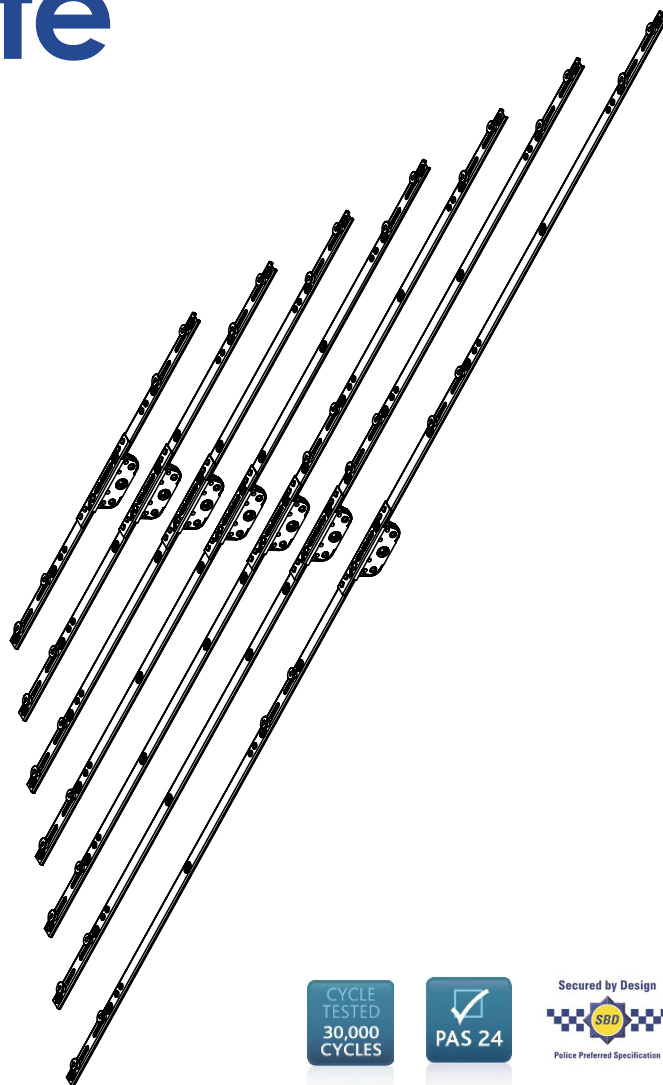


# Kenrick Nemesis Espagnolette



## An innovative design with a slim, offset gearbox

A pioneering espagnolette from Kenrick with a stainless steel C rail faceplate enables fitting to eurogroove or non-eurogroove profiles.

The slim, offset gearbox means that it can be fitted inside the glazing leg of slim profiles.

Universal keeps with packers with no requirement for bespoke manufacture keeps costs down.



### Key Product Features

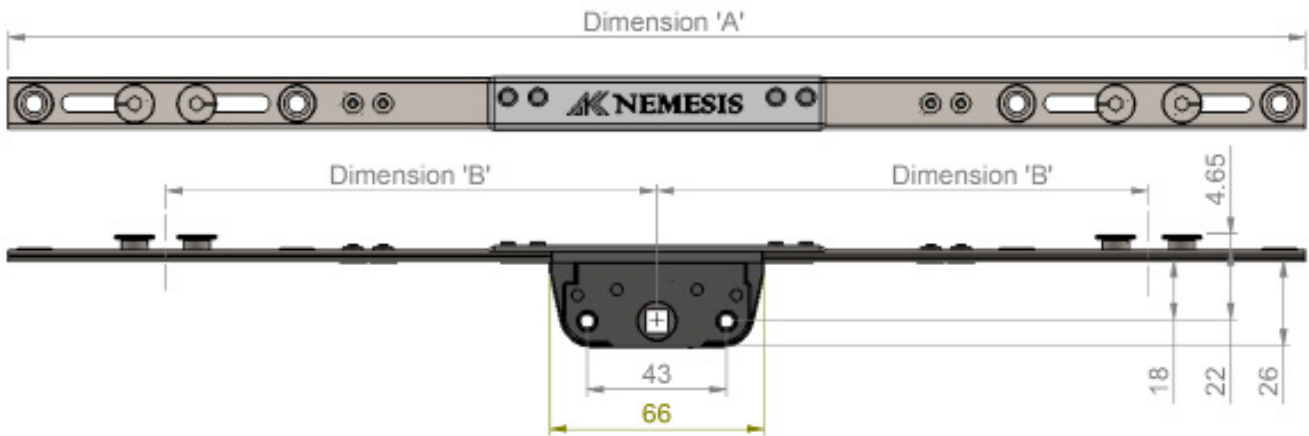
- Back set: 22mm
- Cam Heights: 5.0mm or 7.0mm dependent on profile
- Cam Adjustment: +/- 1mm
- Faceplate width: 16mm to fit Eurogroove and non-Eurogroove profiles
- Sash Rebate Range: 400 – 1400mm

# Technical information

## Testing & Accreditation

- Tested to PAS 24:2012
- Secured by Design Accredited
- Tested to 30,000 cycles

Espag Length Options	
Dimension 'A'	Dimension 'B'
400mm	151.5mm
550mm	226.5mm
700mm	301.5mm
850mm	376.5mm
1000mm	451.5mm
1150mm	526.5mm
1300mm	601.5mm



## Part Codes

Kenrick Nemesis Twin Cam Espag				
Length	5mm Cam	7.0mm Cam	No. of mushrooms	Box QTY
400mm	NEM400205*H	NEM400207*H	2	20
550mm	NEM550205*H	NEM550207*H	2	20
700mm	NEM700205*H	NEM700207*H	2	20
850mm	NEM850205*H	NEM850207*H	2	20
1000mm	NEM1000205*H	NEM1000207*H	6	20
1150mm	NEM1150205*H	NEM1150207*H	6	20
1300mm	NEM1300205*H	NEM1300205*H	8	20

Kenrick Nemesis Profile Related Keeps		
	Description	Box QTY
RLCO8148F	Universal Top Plate Keep	200
RLCO8145F	Mushroom Keep SAPA (5mm)	200
RLCO8136F	Mushroom Keep SMARTS ALUTHERM 300 (5mm)	200
RLPO8143P	Packer SMARTS ALUTHERM 600 (7mm)	200
RLPO8144P	Packer SMARTS ALUTHERM 800 (7mm)	200
RLPO8146P	Packer ALUK (7mm)	200

\*Insert L for Left Hand or R for Right hand