

Glazpart Link Vent Mk 2

Achieve higher performance on smaller vents with improved EQA

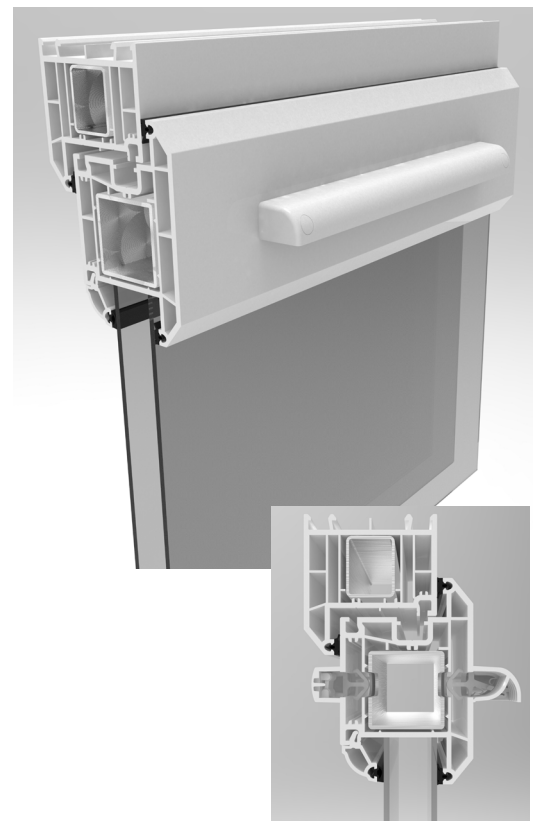
The design of the Link Vent Mk 2 benefits from aerodynamic features which direct the air flow efficiently through the vents pathway - the canopy extends only 25mm. It has been developed to meet the minimum requirements of the building regulation Part F1:2010; the 2500EQA can be fitted into non habitable rooms such as toilet and bathroom windows which are typically narrower.

The 2500EQA can be used to replace both 2000 and most 4000 vents; it is the same size as typical 2000 vents and has the same, if not improved, EQA as many 4000 vents. The 5000EQA can be used to replace 2 x 4000 vents, meaning fewer vents to fit and rout.

The vent has one of the highest decibel ratings on the market for non-acoustic vents. Improved Db reduces noise to new levels of performance, especially in the closed position. The aesthetically pleasing and patented design helps to reduce the visibility of the trickle vent on a window.

It is available in large range of solid colour or wood grain finishes - internal and external parts can be bought separately for flexible colour choice. The vents are through moulded meaning the colour won't scratch or peel off. Canopies can be vacuum foiled to match embossed Linear wrapped profiles and the vents can be sprayed to any RAL colour.

The vent has no end caps and is supplied with the fixing clips fitted - you can push fit the vent into place within seconds. The clips automatically centre the vent in the rout, ensuring it is fitted level. If you prefer to screw fix your trickle vents, just pop out the fitted screw caps before fitting and fix as normal.



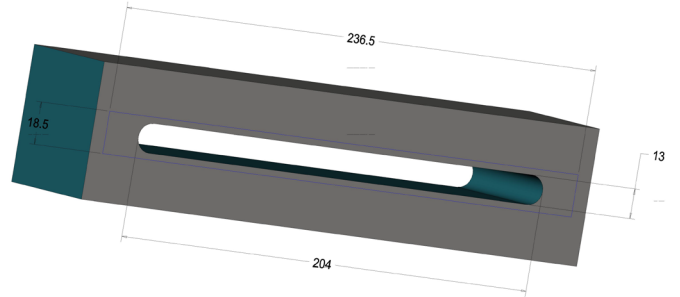
Key Product Features

- Smallest 2500 EQA & 5000 EQA trickle vents on the market
- Full range of colours which are moulded, colour won't scratch or peel off
- High decibel ratings especially in the closed position: 2500 = 51db and 5000 = 43db
- The low air leakage figures reduces the possibility of drafts or whistling coming from the vents.
- The 2500 can be used to replace both 2000 and most 4000 vents
- The 5000 can be used to replace 2 x 4000 vents

Technical Information

LINKVENT MK II: 2500

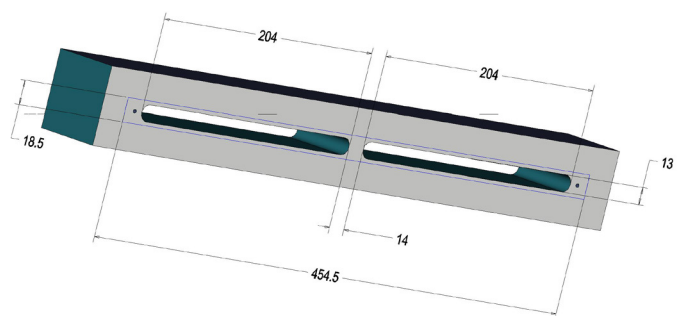
- **Equivalent Area:** 2500mm²EQA
- **Free Area:** 2512mm²
- **Acoustic D n,e,w (+/-) - vent open:** 38(0;1)
- **Acoustic D n,e,w (+/-) - vent closed:** 51 (-1;-2)
- **Air Leakage:** 0.39 m3/h 0.11 L/s
- **Waterfightsness Test to BS EN 13141-1:** Resistant to water penetration using method 1A meeting Class 9A requirement up to and at 600pa in BS EN 12208
- **DB Rating:** Airbourne sound insulation to BS EN ISO 10140-1:2016 Annex E and BS EN ISO 10140-2:2010 and single number calculated in accordance with BS EN ISO 717-1:2013



Internal				External								Ventilator			
Ventilator				Canopy				Grille (Timber, Sliding Door, Sash)				Ventilator			
H (mm)	L (mm)	D (mm)	Weight (gram)	H (mm)	L (mm)	D (mm)	Weight (gram)	H (mm)	L (mm)	D (mm)	Weight (gram)	Attachement Type	Rout H (mm)	Rout L (mm)	Stand W (mm)
18.5	236.5	15	30	18.5	236.5	25	30	26	236.5	2.5	11	Clip or Screw	13	204	NA

LINKVENT MK II: 5000

- **Equivalent Area:** 5000mm²EQA
- **Free Area:** 5049mm²
- **Acoustic D n,e,w (+/-) - vent open:** 35(0;1)
- **Acoustic D n,e,w (+/-) - vent closed:** 43 (0;0)
- **Air Leakage:** 1.29 m3/h 0.36 L/s
- **Waterfightsness Test to BS EN 13141-1:** Resistant to water penetration using method 1A meeting Class 9A requirement up to and at 600pa in BS EN 12208
- **DB Rating:** Airbourne sound insulation to BS EN ISO 10140-1:2016 Annex E and BS EN ISO 10140-2:2010 and single number calculated in accordance with BS EN ISO 717-1:2013



Internal				External								Ventilator			
Ventilator				Canopy				Grille (Timber, Sliding Door, Sash)				Ventilator			
H (mm)	L (mm)	D (mm)	Weight (gram)	H (mm)	L (mm)	D (mm)	Weight (gram)	H (mm)	L (mm)	D (mm)	Weight (gram)	Attachement Type	Rout H (mm)	Rout L (mm)	Stand W (mm)
18.5	454.5	15	60	18.5	454.5	25	49	26	436	2.5	20	Clip or Screw	13	422	14

Part Codes

Colour	Equivalent Area 2500m2		Equivalent Area 5000m2		Box Quantity
Internal and External Sets					
	2001-50000		5001-50000		50
	External	Internal	External	Internal	
White	N/A	2101-50000B	N/A	5101-50000B	100
Black	2201-50002B	2101-50002B	5201-50002B	5101-50002B	100
Brown	2201-50001B	2101-50001B	5201-50001B	5101-50001B	100
Oak	2201-50005B	2101-50005B	5201-50005B	5101-50005B	100
Ice cream RAL 9001	2201-50030B	2101-50030B	5201-50030B	5101-50030B	100
Cream RAL 1015	2201-50014B	2101-50014B	5201-50014B	5101-50014B	100
Cream White	2201-50007B	2101-50007B	5201-50007B	5101-50007B	100
Hazy Grey RAL 7001	2201-50022B	2101-50022B	5201-50022B	5101-50022B	100
Grey RAL 7015	2201-50009B	2101-50009B	5201-50009B	5101-50009B	100
Grey RAL 7016	2201-50010B	2101-50010B	5201-50010B	5101-50010B	100
Quartz Grey RAL 7039	2201-50024B	2101-50024B	5201-50024B	5101-50024B	100
Agate Grey RAL 7038	2201-50017B	2101-50017B	5201-50017B	5101-50017B	100
Basalt Grey RAL 7012	2201-50016B	2101-50016B	5201-50016B	5101-50016B	100
Light Grey RAL 7035	2201-50028B	2101-50028B	5201-50028B	5101-50028B	100
Pebble Grey	2201-50033B	2101-50033B	5201-50033B	5101-50033B	100
Steel Blue	2201-50019B	2101-50019B	5201-50019B	5101-50019B	100
Chartwell Green	2201-50015B	2101-50015B	5201-50015B	5101-50015B	100
Moss Green	2201-50020B	2101-50020B	5201-50020B	5101-50020B	100
Dark Green	2201-50021B	2101-50021B	5201-50021B	5101-50021B	100
Wine Red	2201-50018B	2101-50018B	5201-50018B	5101-50018B	100
Dark Red	2201-50023B	2101-50023B	5201-50023B	5101-50023B	100
Plain Irish Oak	2201-50011B	2101-50011B	5201-50011B	5101-50011B	100
Anteak	2201-50027B	2101-50027B	5201-50027B	5101-50027B	100
Windsor	2201-50031B	2101-50031B	5201-50031B	5101-50031B	100
Balmoral	2201-50032B	2101-50032B	5201-50032B	5101-50032B	100
Natural Oak	2201-50034B	2101-50034B	5201-50034B	5101-50034B	100
Mahogany (Woodgrain)	2201-50500B	2101-50500B	5201-50500B	5101-50500B	100
Rosewood (Woodgrain)	2201-50501B	2101-50501B	5201-50501B	5101-50501B	100
Golden Oak (Woodgrain)	2201-50502B	2101-50502B	5201-50502B	5101-50502B	100
Irish Oak (Woodgrain)	2201-50503B	2101-50503B	5201-50503B	5101-50503B	100